

# MODELS LC-12/12-3SA



## 12,000 LB. CLEAR FLOOR TWO POST LIFT

### The lift that fits where others won't

**LOW CEILING/LOW CLEARANCE**



**Also available with 3 stage swing arms for all of your lifting needs!**



TO MEET THE ONE AND ONLY NATIONAL SAFETY STANDARD FOR VEHICLE LIFTS



# MOHAWK

*Americas Best Lift Investment...*

Still proudly designed, welded and manufactured in the U.S.A.



**Bid Term: 11/16/18 - 11/15/20**

**NJ State Approved Co-op #65MCESCCPS**



# MOHAWK LC-12 & LC-12-3SA LOW CEILING LIFTS

## HEAVY DUTY LIFTS FOR... HEAVY DUTY SERVICE



▲ Two post lifts offer FULL unobstructed under vehicle access for all repairs, take up minimal bay space and leaves wheels hanging free for tire, brake or any other necessary repairs.

### MOHAWK DESIGN

- Mohawk columns are constructed of  $\frac{3}{4}$ " thick forklift masts, for a **lifetime** of trouble-free service.
- Each Mohawk carriage rolls on 8 double-sealed, self-lubricating, steel **ball bearing rollers** (NOT plastic sliders).
- Two 4" heavy duty cylinders make for safer, steadier lifting than single cylinder lifts or lift brands with tiny cylinders.
- Easily **adjustable** overhead stainless steel hydraulic lines can be set at **any** height (or routed in floor) to accommodate all tall trucks and vans.
- **Low profile** 5" (4½" with 3 stage arms) swing arms fit under most passenger cars.
- Equipped with Mohawk's 5", 7½" and 10" stackable lift adaptor pads or optional height adjustable screw pads.
- Available with optional lower height three stage swing arms that retract 2" (1" each side) shorter and reach 10" longer for varied fleets.

**LC-12-3SA SHOWN WITH IN-FLOOR HYDRAULIC LINES**

Optional 3 Stage Arms

Automatic arm restraints

All position mechanical locks every 3"

30" wide by 24" base for stability

#BL-848 **HIGH STRENGTH** ▶  
leaf chain compared to the competitive cables which fray

### MOHAWK PATENTED INDUSTRY LEADING SAFETY SYSTEMS

- Mohawk lifts feature **all position** mechanical safety locks in both columns, **starting at the ground**, to full lifting height.
- Patented **infinite position**, internal hydraulic safeties backed by pressure compensated flow controls and velocity fuse valving.
- The best, and most inclusive warranty in the lift business; 25 years structural, 10 year mechanical, plus limited lifetime cylinder seal warranty. **Mohawk builds the best lifts, with the best warranty.**

- Swing arm restraints automatically engage upon lifting and automatically disengage when the vehicle has been fully lowered.
- Lease/purchase plans available for 1-5 years. **Call Mohawk now!**

### OPERATION

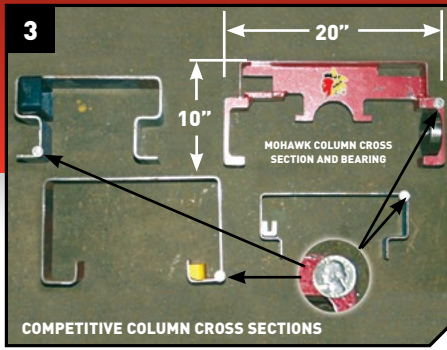
- Hydraulic fluid is pumped between the two cylinders through the overhead (or optional in-floor) stainless steel hydraulic lines. Patented hydraulic synchronization eliminates the need for restrictive height overhead covers, cables, pulleys, equalizer chains or obstructive floor plates.
- Mohawk's LC-12 uses heavy duty leaf #BL-848 chains.

Bid Term: 11/16/18 - 11/15/20





▲ Mohawk's **large and stable footprint** measures 30" wide by 24" and is made of 3/4" thick plate. Mohawk's large base gives stability to the lift, while distributing the load to the shop floor.

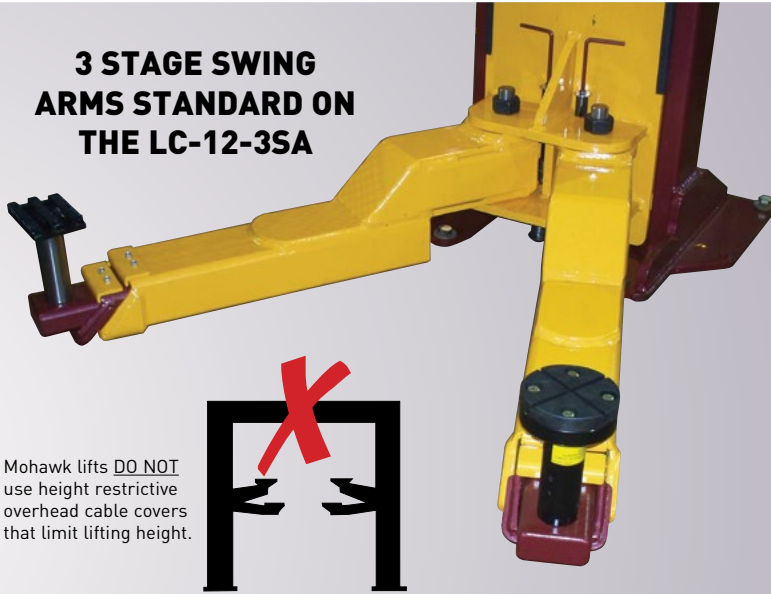


▲ Mohawk's fork lift channel & bearing (top right) VS. 3 different sheet metal columns which use plastic slides. Like your fork lifts mast, Mohawk Lifts **DON'T WEAR OUT!** Note the U.S. quarters on all four pieces (for scale).



▲ Heavy duty column construction with dual cylinders, #BL-848 lifting chain (not cables) and stainless steel hydraulic lines (not rubber hoses) which will never wear.

### 3 STAGE SWING ARMS STANDARD ON THE LC-12-3SA



Mohawk lifts **DO NOT** use height restrictive overhead cable covers that limit lifting height.

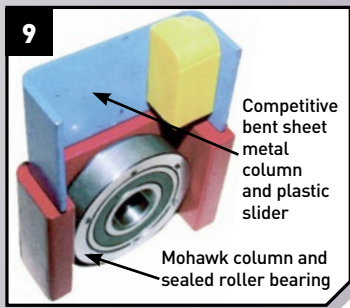


▲ Each carriage rolls on (8) 4" double sealed, self lubricating, heavy duty ball bearing rollers for a lifetime of trouble-free service (not plastic slide blocks).



▲ **LARGE 4" CYLINDERS** equal longer seal life and lower operating pressures vs. smaller competitive cylinders.

**FORK LIFT CHANNEL** & bearing (bottom) vs. competitive columns & plastic slider (top)



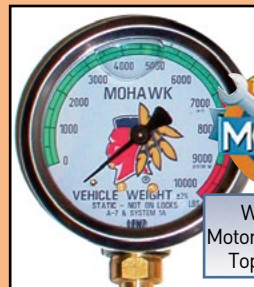
▲ ALL position 1" thick mechanical locks on BOTH carriages engage the full length of travel starting at ground level.

and twin bearings located on each of the cylinders. Chain lifting eliminates the constant stretch, fray, maintenance and replacement costs associated with cable or screw lifts.

- Mohawk carriages roll on eight double sealed, self-lubricating, steel ball bearing rollers, for a lifetime of maintenance-free operation.
- Mohawk bearings are longer lasting, with less friction and wear than competitive lifts using plastic slide blocks which need constant greasing and maintenance.

### What other lift offers a 25 year structural warranty?

NJ State Approved Co-op #65MCESCPS



**Safety Weight Gauge** to determine vehicle weight, aid vehicle diagnosis & show lift is lowered onto locks.



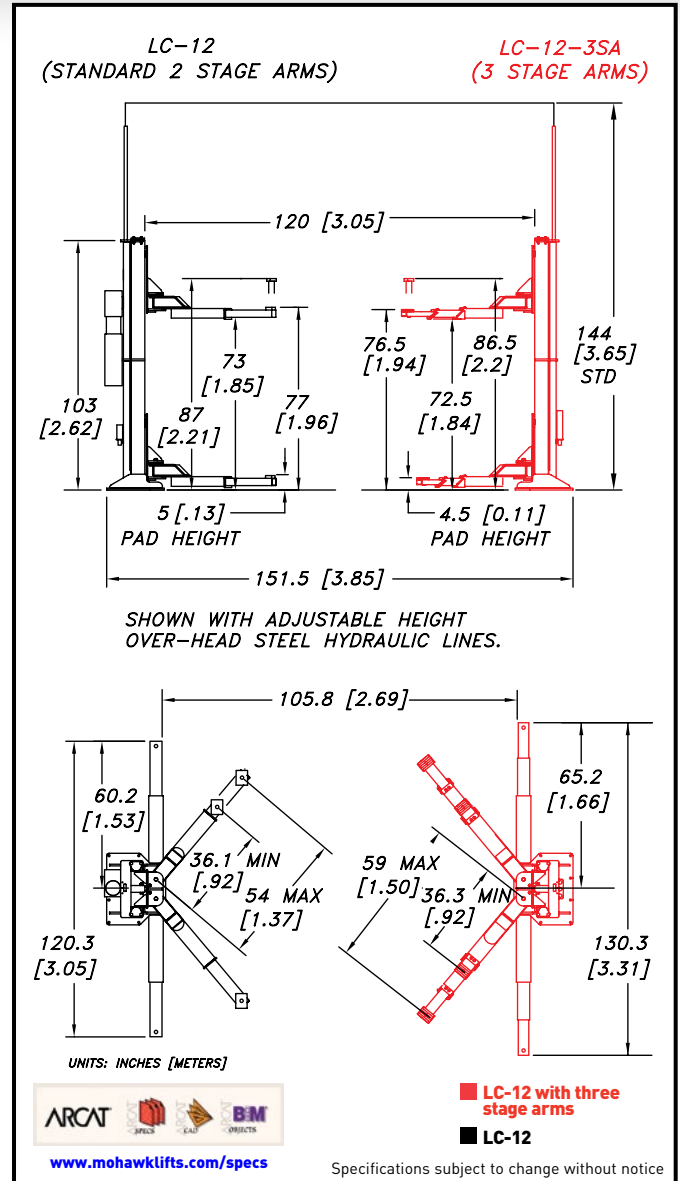
**Speedlane Adaptor** Slips on quickly for instant lifting without positioning swing arms yet leaves the wheels hanging free for tire and brake work.

**Bid Term: 11/16/18 - 11/15/20**



# MODEL LC-12 + LC-12-3SA SPECIFICATIONS

<b>Capacity:</b> .....	12,000 lbs. (5,443.11 kg)
<b>Lifting Speed:</b> .....	80 seconds at full load (faster with lighter vehicles)
<b>Motor Rating:</b> .....	2.5 HP/208-230V, Single-phase (3ø optional)
<b>Synchronization:</b> .....	Hydraulic fluid displacement using no chains, cables, or overhead obstructions
<b>Arm Pad Height:</b> .....	5" (12.7 cm) min.
<b>Lifting Height:</b> .....	6' (1.83 m) under arm
<b>Lift Pad Height @ Full Rise:</b> .....	6' 5" (1.96 m)
<b>Lift Pad Height @ Full Rise w/Adaptors:</b> .....	7' 3" (2.21 m)
<b>Overall Width:</b> .....	12' 7" (3.84 m) (adjustable)
<b>Width Between Posts:</b> .....	10' (3.05 m) (adjustable)
<b>Width Between Lifting Arms:</b> .....	8' 10" (2.69 m) (adjustable)
<b>Column Height:</b> .....	8' 7" (2.62 m)
<b>Overhead Hydraulic Line Height:</b> .....	12' (3.66 m) Standard (adjustable to accommodate any height ceiling or routed in-floor)
<b>Weight:</b> .....	2900 lbs. (1,315.42 kg)
<b>Concrete Floor Requirements:</b> .....	4000 psi (27579.02 kPa) mix 6 1/2" (16.51 cm) depth
<b>Anchoring System: Included</b> .....	(16) 3/4"x6" (1.9x15.2 cm) bolts
<b>Mechanical Safety Locks:</b> .....	<b>Automatic; all position</b> starting ground level
<b>Hydraulic Safety Systems:</b> .....	<b>Automatic;</b> all position
<b>Swing Arm Restraints:</b> .....	<b>Automatic</b> upon ascent
<b>Cylinders:</b> .....	2 (1 per column)
<b>Drive System:</b> .....	#BL-848 leaf chain routed over cylinder
<b>5" Frame Adaptors (stackable):</b> .....	4 included as standard equipment
<b>7 1/2" Frame Adaptors (stackable):</b> .....	4 included as standard equipment
<b>10" Frame Adaptors (stackable):</b> .....	4 included as standard equipment
<b>4" Steel Carriage Bearings:</b> .....	8 per carriage, double sealed, self-lubricating
<b>Floor Access Between Posts:</b> .....	Clear and unobstructed
<b>Warranty:</b> .....	<b>25 years structural, 10 year mechanical, plus limited lifetime cylinder seal warranty</b>



Mohawk builds the best products with the finest materials, to the highest standards. Just compare our lifts. Our staff will assist you with a fleet evaluation, design assistance and answer any technical questions you have. We invite your calls.

Mohawk lifts are manufactured in compliance with the following standards: ALI, ANSI, ASME, AISI, ASTM, ASA, NEC, AWG, NEMA.

MEETS CURRENT NATIONAL ANSI CODE FOR LIFTS.

For more detailed product information read this book at [www.mohawklifts.com/wmamam](http://www.mohawklifts.com/wmamam)



[www.facebook.com/mohawklifts](http://www.facebook.com/mohawklifts)



Mohawk Resources, LTD.

P.O. Box 110  
65 Vrooman Ave  
Amsterdam, NY 12010  
(800) 833-2006  
(518) 842-1431  
FAX: (518) 842-1289

[www.mohawklifts.com](http://www.mohawklifts.com)

NJ State Approved Co-op #65MCECCPS



GSA contract #GS-07F-207AA



DISTRIBUTED BY: